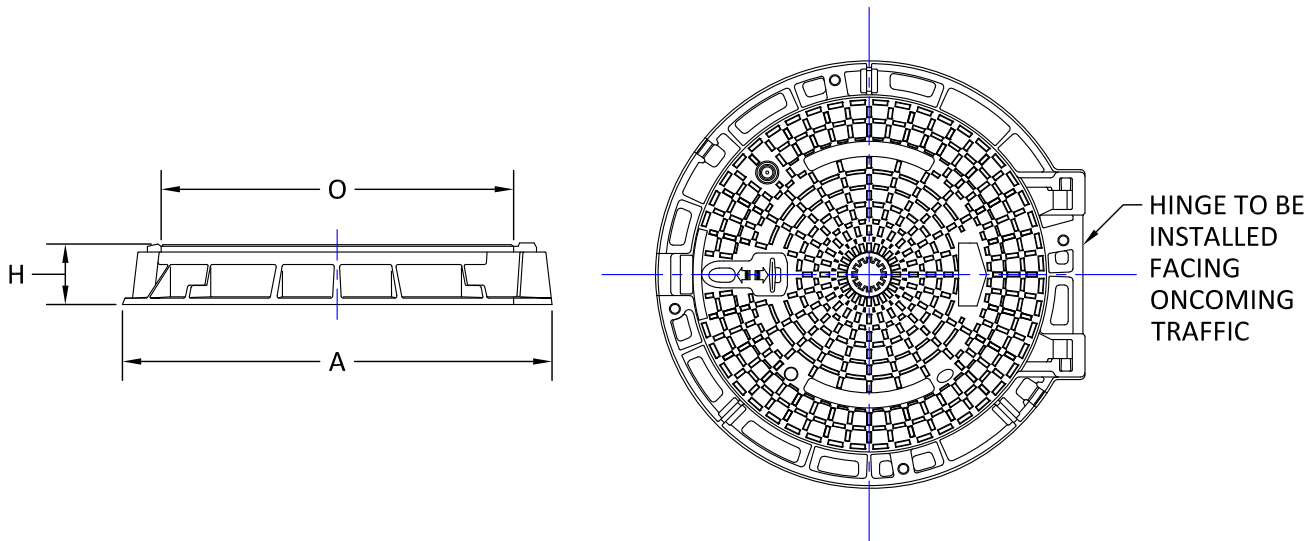




CITY OF HALTOM CITY SANITARY SEWER

5024 BROADWAY AVENUE
 PO BOX 14246
 HALTOM CITY, TX 76117

SS 001 - PAMREX MANHOLE COVER AND FRAME



NOTES:

1. MANHOLE COVER AND FRAME SHALL BE PAMREX OR APPROVED EQUAL. COVER AND FRAME SHALL BE MANUFACTURED FROM DUCTILE IRON.
2. COVERS SHALL BE DUALY HINGED AND INCORPORATE A 90 DEGREE BLOCKING SYSTEM TO PREVENT ACCIDENTAL CLOSURE. COVERS SHALL BE ONE MAN OPERABLE USING STANDARD TOOLS AND SHALL BE CAPABLE OF WITHSTANDING A TEST LOAD OF 80,000 LBS.
3. FRAMES SHALL BE CIRCULAR, INCORPORATE A SEATING RING AND A FITTED PLUG IN EACH HINGE HOUSING, AND BE AVAILABLE IN A 32 INCH CLEAR OPENING. THE FRAME DEPTH SHALL NOT EXCEED 5 INCHES, AND THE FLANGE SHALL INCORPORATE BEDDING SLOTS, BOLT HOLES, AND LIFTING EYES.
4. ALL COMPONENTS SHALL BE BLACK COATED.
5. "PAMREX" COVER AND FRAME IS AVAILABLE FROM JIM COX SALES, INC. (800) 838-7377.

| PAMREX | DIMENSIONS (IN) | | | WEIGHT (LBS) | | REFERENCE |
|--------|-----------------|----|---|---------------|------------|-------------------|
| | A | O | H | COVER + FRAME | COVER ONLY | |
| 800 | 42 | 32 | 5 | 269 | 162 | RE 80 R8 FD |
| 400 | 33 | 24 | 4 | 155 | 71 | REPLACEMENT COVER |

LAST REVISED: FEBRUARY 2004



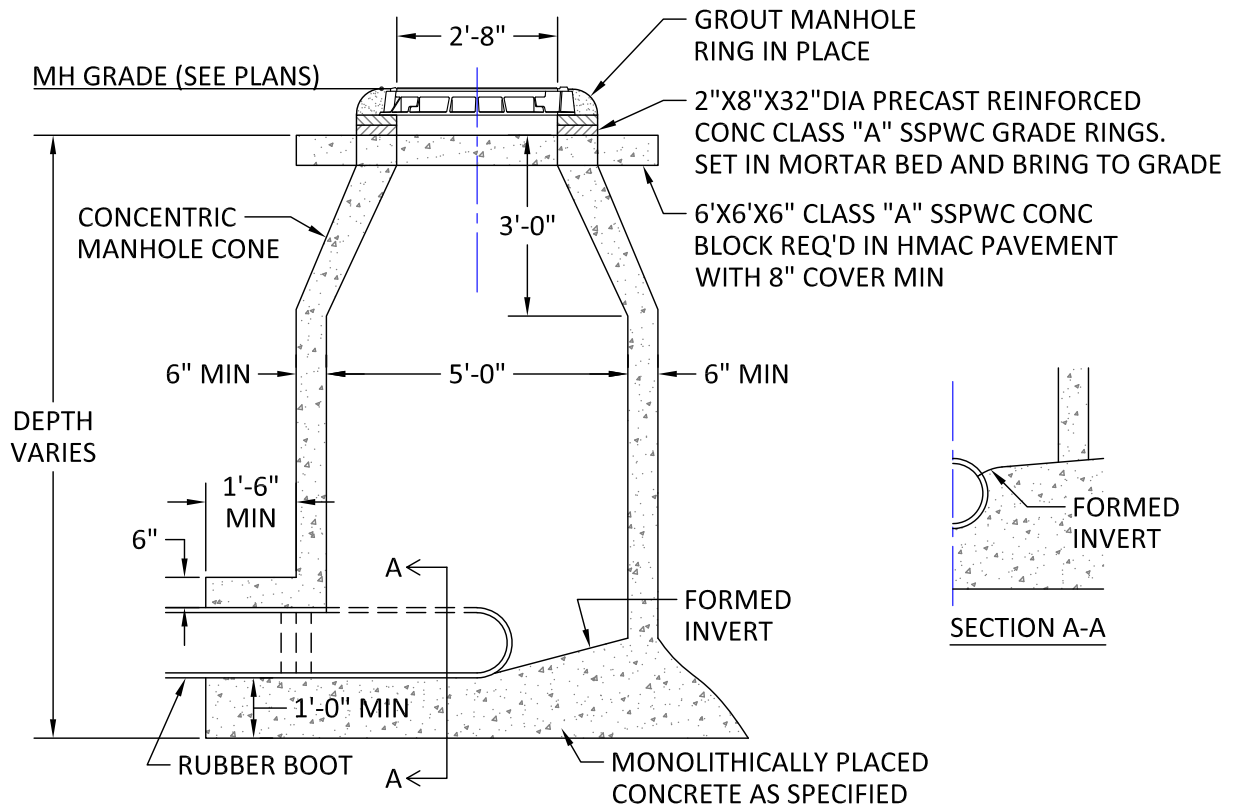
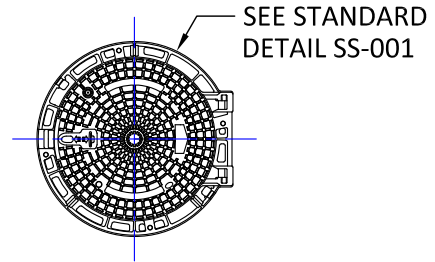
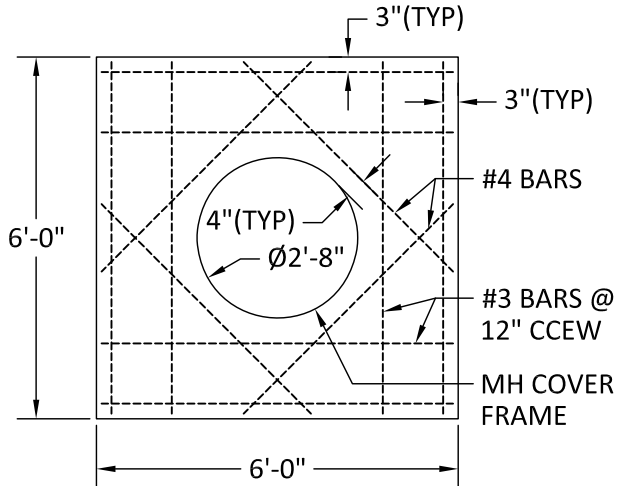
CITY OF HALTOM CITY SANITARY SEWER

5024 BROADWAY AVENUE
 PO BOX 14246
 HALTOM CITY, TX 76117

SS 002 - MANHOLE CAST IN PLACE

NOTE: 6 INCH THICK CLASS "A" CONCRETE BLOCK REQUIRED FOR MANHOLE IN CONCRETE PAVEMENT. SEE SSWPC

NOTE: CONCRETE FOR MANHOLES TO BE CLASS "A". SEE SSWPC



LAST REVISED: FEBRUARY 2004

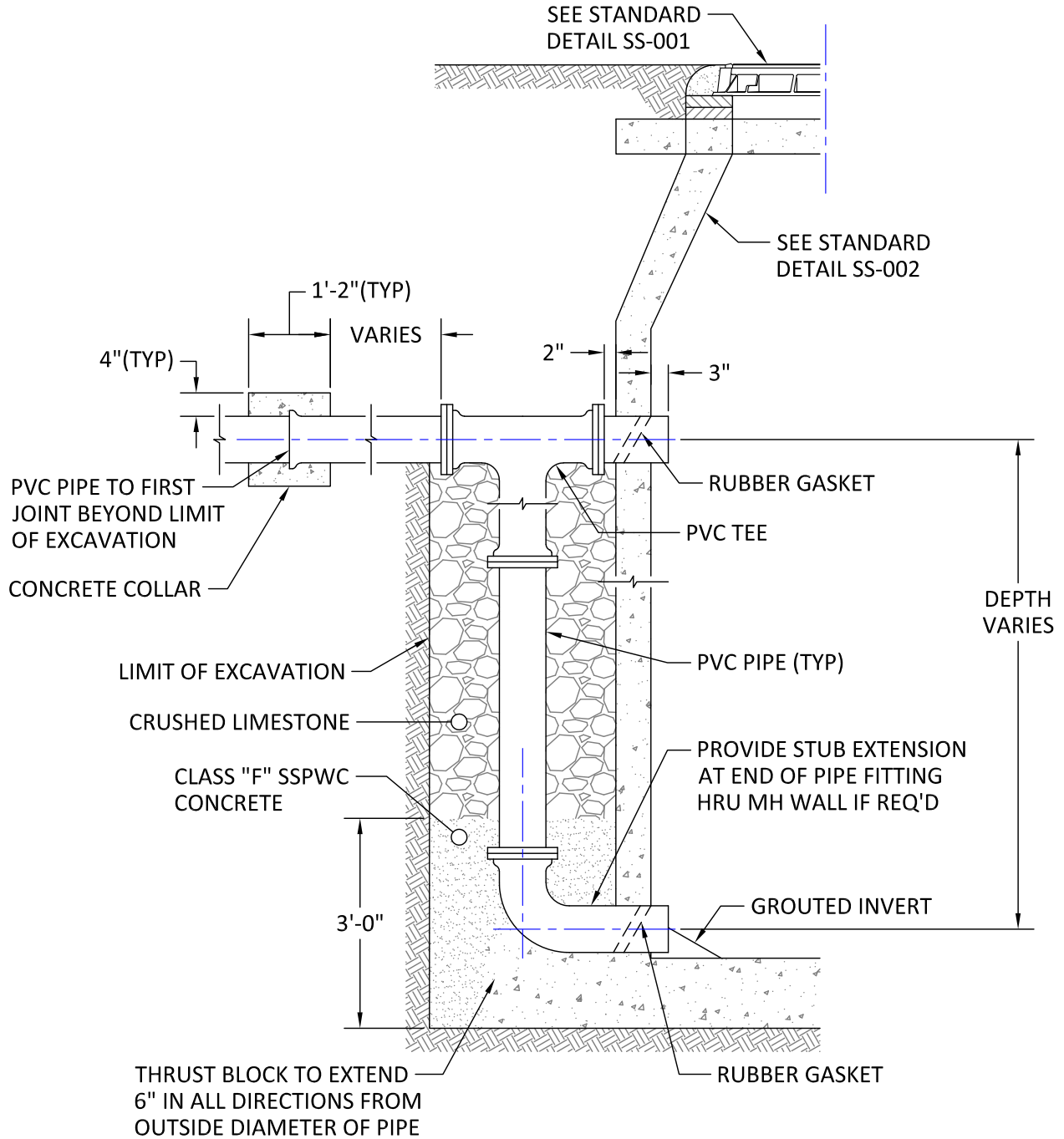


CITY OF HALTOM CITY SANITARY SEWER

5024 BROADWAY AVENUE
PO BOX 14246
HALTOM CITY, TX 76117

SS 003 - DROP MANHOLE

NOTE: SEE PLANS FOR SIZE
AND DEPTH OF PVC PIPE



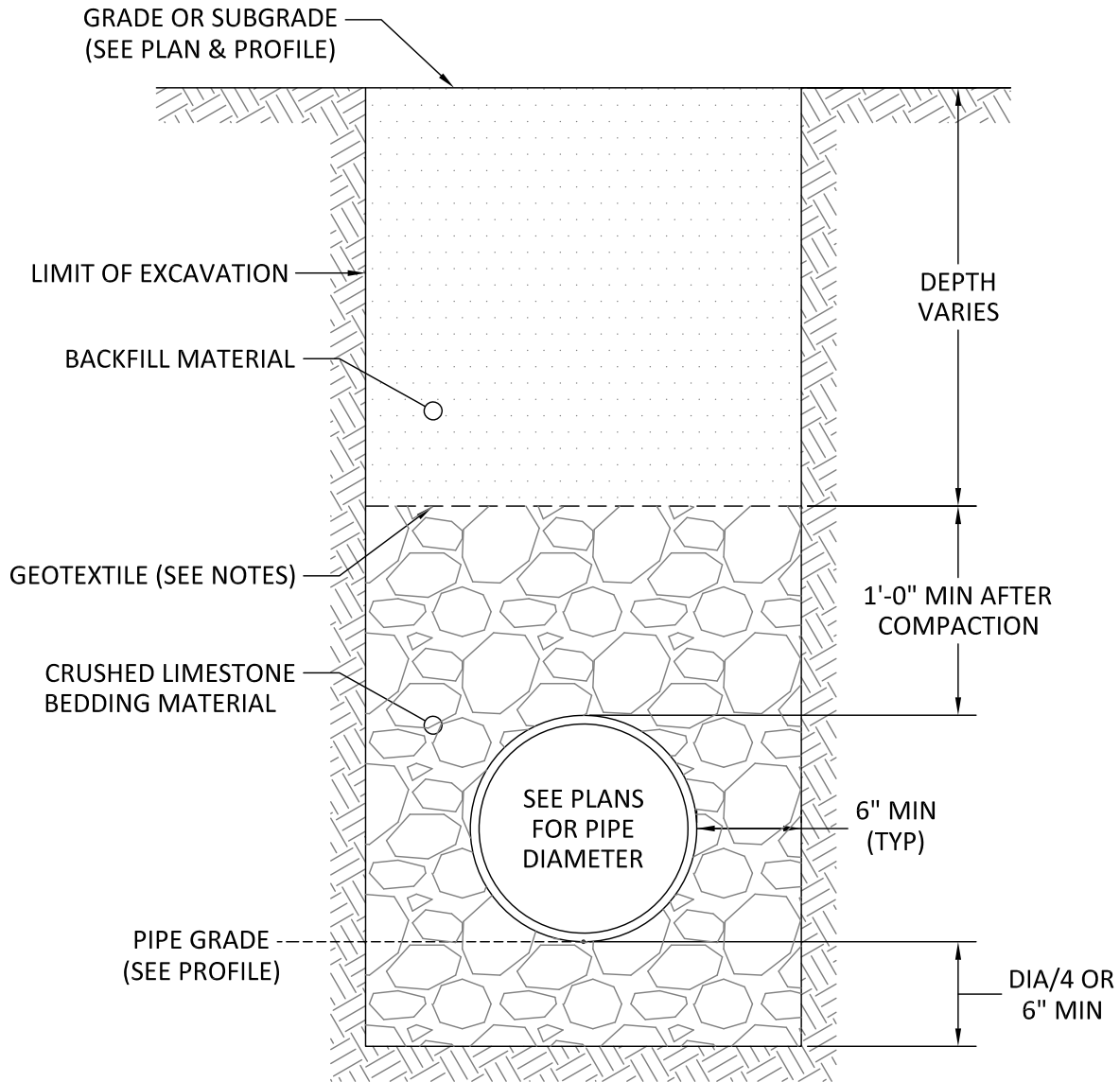
LAST REVISED: FEBRUARY 2004



CITY OF HALTOM CITY SANITARY SEWER

5024 BROADWAY AVENUE
PO BOX 14246
HALTOM CITY, TX 76117

SS 004 - PIPE EMBEDMENT



NOTES:

1. TRENCH PROTECTION REQUIRED WHEN TRENCH DEPTH IS GREATER THAN 5'-0"
2. SEE SPECIFICATIONS FOR BACKFILL AND CONCRETE REQUIREMENTS
3. WRAP BACKFILL MATERIAL IN GEOTEXTILE MATERIAL
4. GEOTEXTILE TO BE PLACED BETWEEN CRUSHED LIMESTONE BEDDING MATERIAL AND GRANULAR EMBEDMENT
5. GEOTEXTILE TO BE D-9-6200 OR APPROVED BY CITY ENGINEER

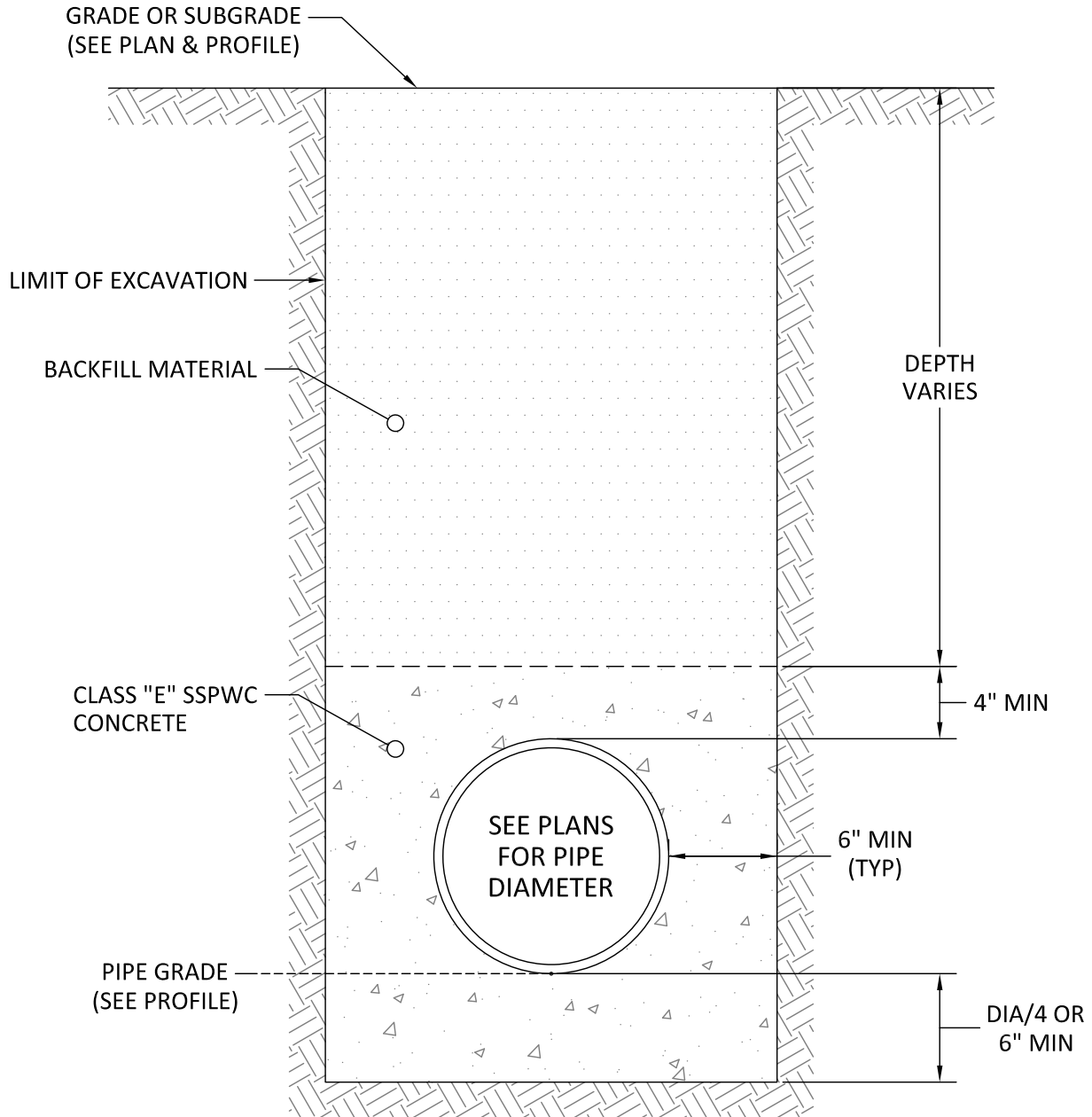
LAST REVISED: FEBRUARY 2004



CITY OF HALTOM CITY SANITARY SEWER

5024 BROADWAY AVENUE
PO BOX 14246
HALTOM CITY, TX 76117

SS 005 - CONCRETE PIPE ENCASEMENT



NOTES:

1. TRENCH PROTECTION REQUIRED WHEN TRENCH DEPTH IS GREATER THAN 5'-0"
2. SEE SPECIFICATIONS FOR BACKFILL AND CONCRETE REQUIREMENTS

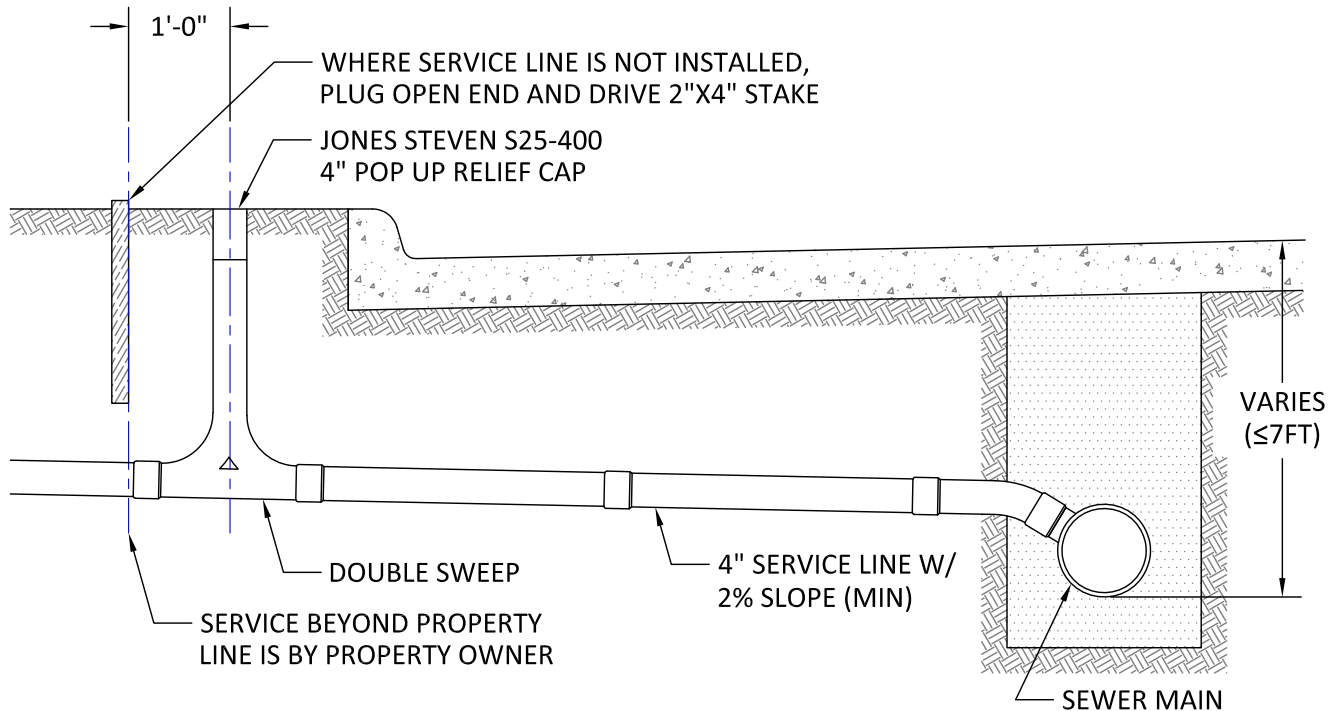
LAST REVISED: FEBRUARY 2004



CITY OF HALTOM CITY SANITARY SEWER

5024 BROADWAY AVENUE
PO BOX 14246
HALTOM CITY, TX 76117

SS 006- SHALLOW SANITARY SEWER SERVICE



NOTES:

1. TRENCH PROTECTION REQUIRED WHEN TRENCH DEPTH IS GREATER THAN 5'-0"
2. SANITARY SEWER SERVICE CONNECTIONS UP TO 7'-0" DEEP ARE "STANDARD" SERVICE CONNECTIONS. SERVICE CONNECTIONS DEEPER THAN 7'-0" ARE "DEEP" SERVICE CONNECTIONS
3. MINIMUM COVER OVER SANITARY SEWER SERVICE PIPE IS 24" BELOW SUBGRADE OR AS REQUIRED TO SERVICE CUSTOMER
4. THE 4" SERVICE LINE SHALL BE SCH-40 PVC PIPE AND FITTINGS
5. SANITARY SEWER SERVICE LINE LOCATION TO BE MARKED WITH RED VINYL TAPE AT LEAST 3" WIDE AND 10 MIL. THICK ATTACHED TO THE END OF THE SERVICE AND EXTENDING THROUGH THE BACKFILL AT THE POINT OF HOUSE SERVICE CONNECTION BEHIND THE CURB
6. EITHER WYE OR SADDLE MAY BE USED FOR CONNECTION. IF USING A SADDLE, ENCASE IN CONCRETE

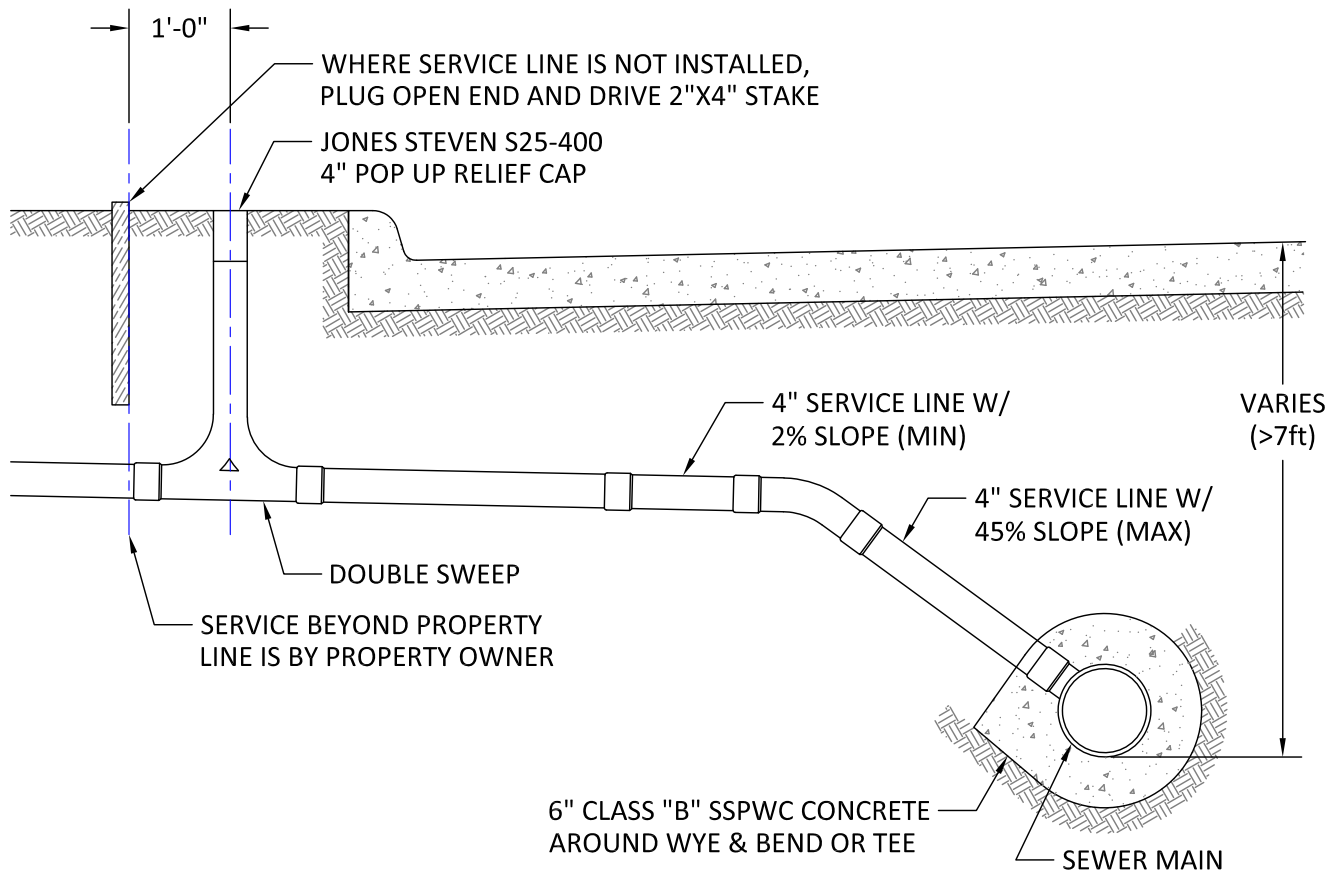
LAST REVISED: FEBRUARY 2004



CITY OF HALTOM CITY SANITARY SEWER

5024 BROADWAY AVENUE
PO BOX 14246
HALTOM CITY, TX 76117

SS 007 - DEEP SANITARY SEWER SERVICE



NOTES:

1. TRENCH PROTECTION REQUIRED WHEN TRENCH DEPTH IS GREATER THAN 5'-0"
2. SANITARY SEWER SERVICE CONNECTIONS UP TO 7'-0" DEEP ARE "STANDARD" SERVICE CONNECTIONS. SERVICE CONNECTIONS DEEPER THAN 7'-0" ARE "DEEP" SERVICE CONNECTIONS
3. MINIMUM COVER OVER SANITARY SEWER SERVICE PIPE IS 24" BELOW SUBGRADE OR AS REQUIRED TO SERVICE CUSTOMER
4. THE 4" SERVICE LINE SHALL BE SCH-40 PVC PIPE AND FITTINGS
5. SANITARY SEWER SERVICE LINE LOCATION TO BE MARKED WITH RED VINYL TAPE AT LEAST 3" WIDE AND 10 MIL. THICK ATTACHED TO THE END OF THE SERVICE AND EXTENDING THROUGH THE BACKFILL AT THE POINT OF HOUSE SERVICE CONNECTION BEHIND THE CURB
6. EITHER WYE OR SADDLE MAY BE USED FOR CONNECTION. IF USING A SADDLE, ENCASE IN CONCRETE

LAST REVISED: FEBRUARY 2004